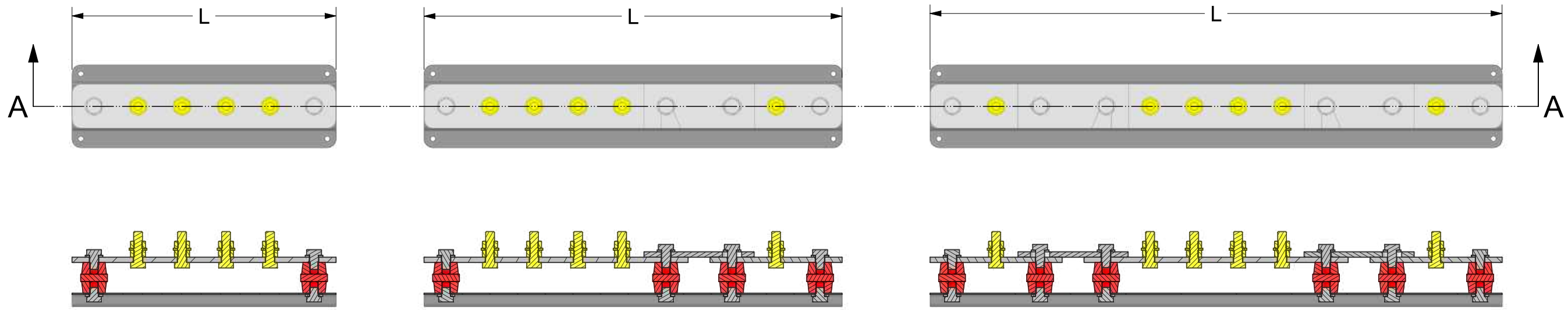


REVISION HISTORY	
1	EB-TIN PLATED-RANGE 50ctrs
2	Part Number Amendment
3	Part Number Amendment



**SECTION A-A**

**TCE4-ZS-50-RANGE NO LINK EARTH BARS**

Part No.	No. Studs	Length (L)
TCE4-50-2	2	200mm
TCE4-50-4	4	300mm
TCE4-50-6	6	400mm
TCE4-50-8	8	500mm
TCE4-50-10	10	600mm
TCE4-50-12	12	700mm
TCE4-50-14	14	800mm
TCE4-50-16	16	900mm
TCE4-50-18	18	1000mm
TCE4-50-20	20	1100mm
TCE4-50-24	24	1300mm
TCE4-50-30	30	1600mm

**TCE5-ZS-50-RANGE SINGLE LINK EARTH BARS**

Part No.	No. Studs Bar 1	No. Studs Bar 2	Length (L)
TCE5-50-2	1	2	375mm
TCE5-50-4	1	4	475mm
TCE5-50-6	1	6	575mm
TCE5-50-8	1	8	675mm
TCE5-50-10	1	10	775mm
TCE5-50-12	1	12	875mm
TCE5-50-14	1	14	975mm
TCE5-50-16	1	16	1075mm
TCE5-50-18	1	18	1175mm
TCE5-50-20	1	20	1275mm
TCE5-50-24	1	24	1475mm
TCE5-50-30	1	30	1775mm

**TCE6-ZS-50-RANGE TWIN LINK EARTH BARS**

Part No.	No. Studs Bar 1	No. Studs Bar 2	No. Studs Bar 3	Length (L)
TCE6-50-2	1	2	1	550mm
TCE6-50-4	1	4	1	650mm
TCE6-50-6	1	6	1	750mm
TCE6-50-8	1	8	1	850mm
TCE6-50-10	1	10	1	950mm
TCE6-50-12	1	12	1	1050mm
TCE6-50-14	1	14	1	1150mm
TCE6-50-16	1	16	1	1250mm
TCE6-50-18	1	18	1	1350mm
TCE6-50-20	1	20	1	1450mm
TCE6-50-24	1	24	1	1650mm
TCE6-50-30	1	30	1	1950mm

**UOS - LINEAR TOLERANCE PERMISSABLE DEVIATIONS FOR SIZE RANGE:**  
Tolerances according to DIN ISO 2768 (V)

DIMS IN MM	0.5 to 3	>3 to 6	>6 to 30	>30 to 120	>120 to 400	>400 to 1000	>1000 to 2000	>2000 to 4000
	-	±0.5	±1.0	±1.5	±2.5	±4.0	±6.0	±8.0



**Total Connections 2009 LTD**

www.tc2009.co.uk  
sales@tc2009.co.uk  
Tel 01249 812 707

**Drawing No. TCDR 2066**

**Material.** VARIOUS (TIN PLATED COPPER)

**Part No.** TIN PLATED ZS EARTH BARS 50CTRS

**Finish.** NATURAL

**SIZE** A3  
**Date** 01/06/2021

**Created By:** Dan Hewlett

**REV** 3

**SCALE** 1:5

**SHEET** 1 of 2