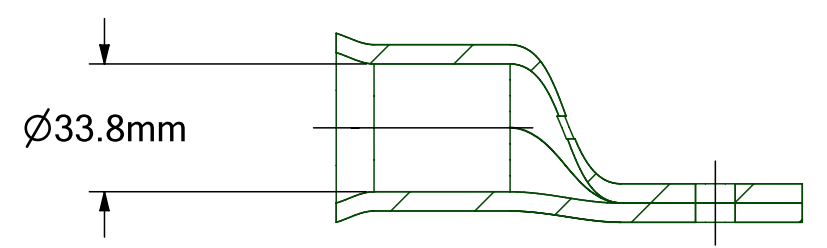
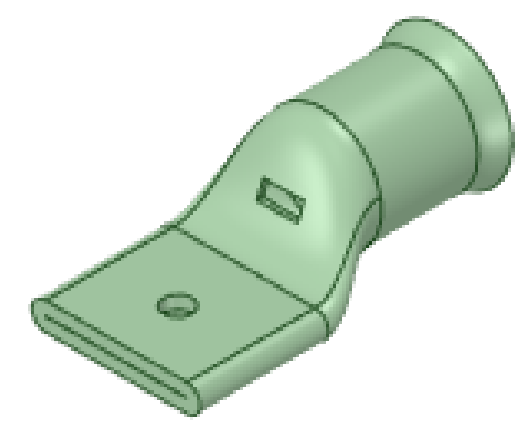
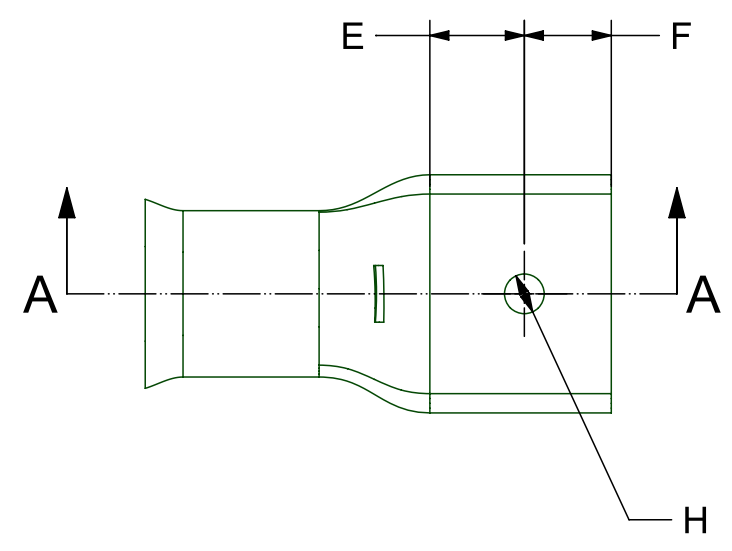
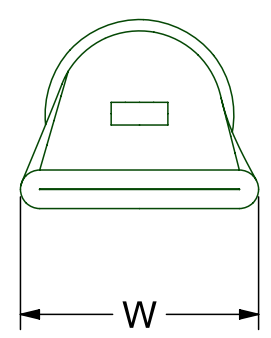


REVISION HISTORY	
1	Original Part



SECTION A-A



PART NO.	H (mm)	E (mm)	F (mm)	W (mm)
TCSD-630-0	0	N/A	48.0	63.0
TCSD-630-6	6.5	25.0	23.0	63.0
TCSD-630-8	8.5	25.0	23.0	63.0
TCSD-630-10	10.5	25.0	23.0	63.0
TCSD-630-12	13.0	25.0	23.0	63.0
TCSD-630-14	14.5	25.0	23.0	63.0
TCSD-630-16	16.5	25.0	23.0	63.0

UOS - LINEAR TOLERANCE PERMISSABLE DEVIATIONS FOR SIZE RANGE:
Tolerances according to DIN ISO 2768 (V)

DIMS IN MM	0.5 to 3	>3 to 6	>6 to 30	>30 to 120	>120 to 400	>400 to 1000	>1000 to 2000	>2000 to 4000
	-	±0.5	±1.0	±1.5	±2.5	±4.0	±6.0	±8.0

TOTAL CONNECTIONS
2009

Total Connections 2009 LTD

www.tc2009.co.uk
sales@tc2009.co.uk
Tel 01249 812 707

Drawing No. TCDR1946 Material. CW024A (C106) COPPER

Part No. TCSD-630-RANGE Finish. 5MICRON ELECTRO TIN PLATED

SIZE A3	Date 08/06/2021	Created By: Dan Hewlett	REV 1
------------	--------------------	----------------------------	----------

SCALE 1:2 SHEET 1 of 1