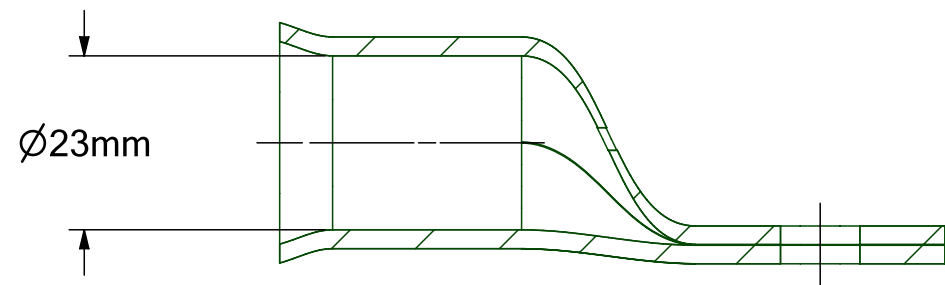
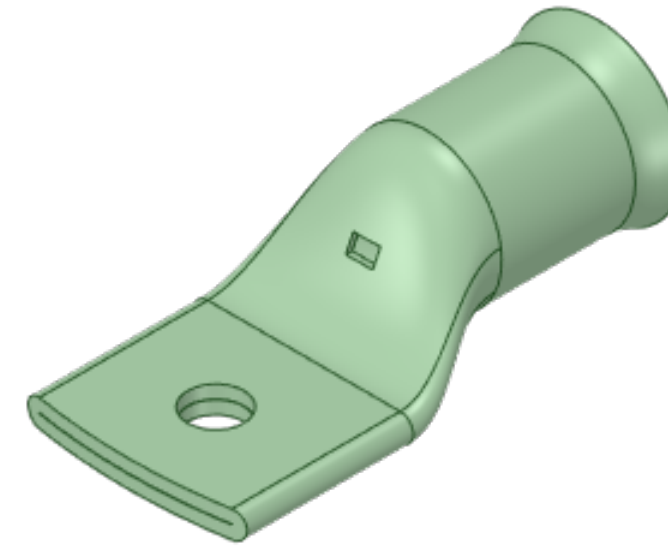
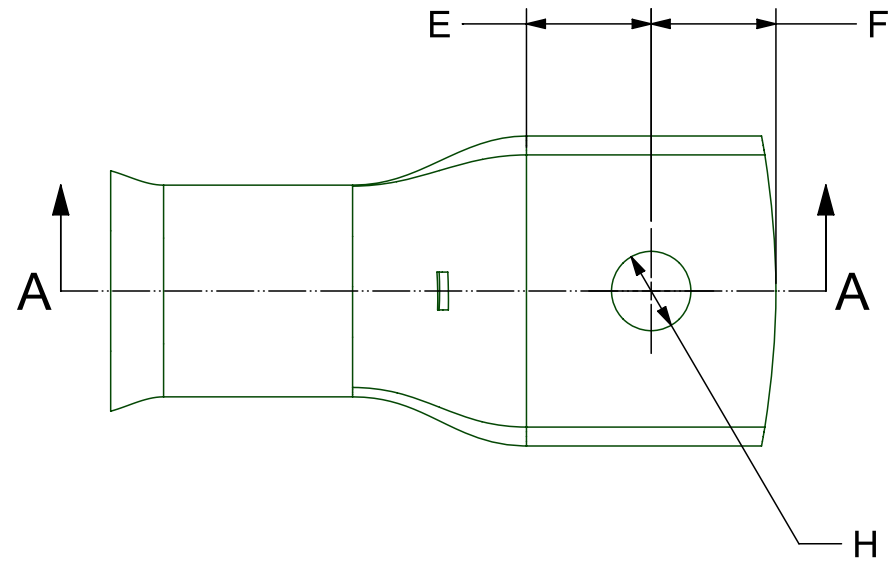
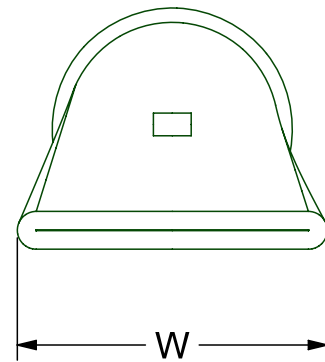


REVISION HISTORY	
1	Original Part



SECTION A-A



PART NO.	H (mm)	E (mm)	F (mm)	W (mm)
TCSD-300-0	0	N/A	33.0	41.0
TCSD-300-6	6.5	16.5	16.5	41.0
TCSD-300-8	8.5	16.5	16.5	41.0
TCSD-300-10	10.5	16.5	16.5	41.0
TCSD-300-12	13.0	16.5	16.5	41.0
TCSD-300-14	14.5	16.5	16.5	41.0
TCSD-300-16	16.5	16.5	16.5	41.0

UOS - LINEAR TOLERANCE PERMISSABLE DEVIATIONS FOR SIZE RANGE:  
Tolerances according to DIN ISO 2768 (V)

DIMS IN MM	0.5 to 3	>3 to 6	>6 to 30	>30 to 120	>120 to 400	>400 to 1000	>1000 to 2000	>2000 to 4000
	-	±0.5	±1.0	±1.5	±2.5	±4.0	±6.0	±8.0



Total Connections 2009 LTD

www.tc2009.co.uk  
sales@tc2009.co.uk  
Tel 01249 812 707

Drawing No. TCDR1942

Material. CW024A (C106)  
COPPER

Part No. TCSD-300-RANGE

Finish. 5MICRON ELECTRO  
TIN PLATED

SIZE A3 Date 24/03/2021

Created By: Dan Hewlett REV 1

SCALE 1:1

SHEET 1 of 1