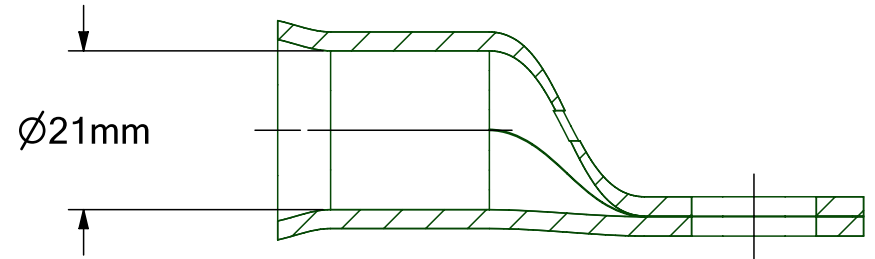
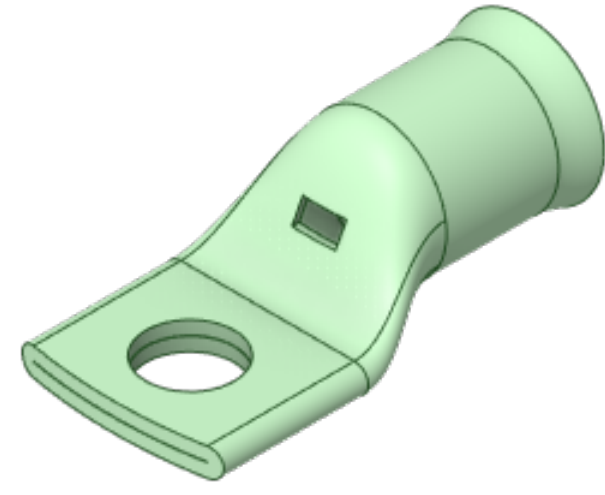
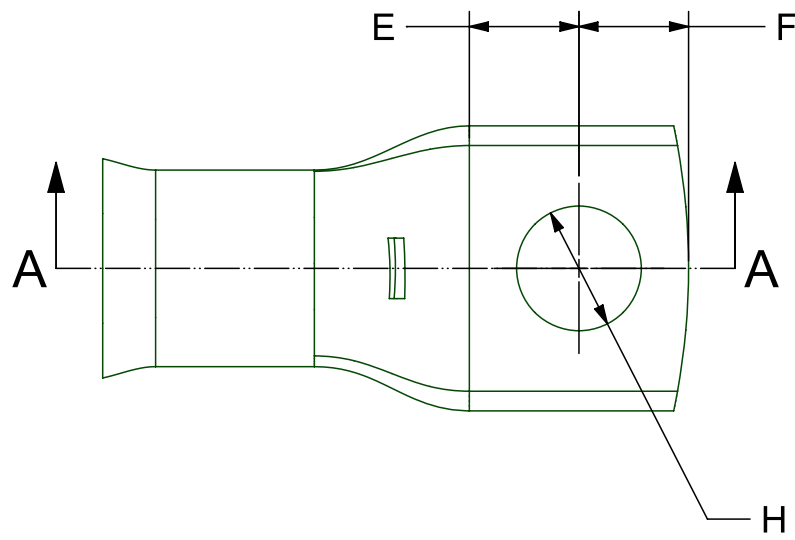
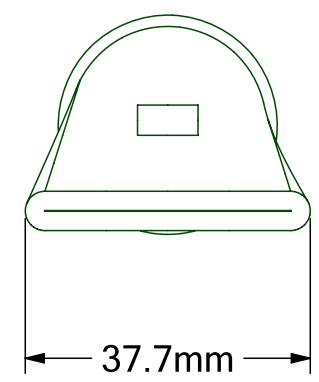


REVISION HISTORY	
1	Original Part



SECTION A-A



PART NO.	H (mm)	E (mm)	F (mm)	W (mm)
TCSD-240-0	0	N/A	14.5	37.7
TCSD-240-6	6.5	14.5	14.5	37.7
TCSD-240-8	8.5	14.5	14.5	37.7
TCSD-240-10	10.5	14.5	14.5	37.7
TCSD-240-12	13.0	14.5	14.5	37.7
TCSD-240-14	14.5	14.5	14.5	37.7
TCSD-240-16	16.5	14.5	14.5	37.7

UOS - LINEAR TOLERANCE PERMISSABLE DEVIATIONS FOR SIZE RANGE:  
Tolerances according to DIN ISO 2768 (V)

DIMS IN MM	0.5 to 3	>3 to 6	>6 to 30	>30 to 120	>120 to 400	>400 to 1000	>1000 to 2000	>2000 to 4000
	-	±0.5	±1.0	±1.5	±2.5	±4.0	±6.0	±8.0

**TOTAL CONNECTIONS 2009**  
 Total Connections 2009 LTD  
[www.tc2009.co.uk](http://www.tc2009.co.uk)  
[sales@tc2009.co.uk](mailto:sales@tc2009.co.uk)  
 Tel 01249 812 707

Drawing No. TCDR1941      Material. CW024A (C106) COPPER  
 Part No. TCSD-240-RANGE      Finish. 5MICRON ELECTRO TIN PLATED

SIZE A3      Date 24/03/2021      Created By: Dan Hewlett      REV 1

SCALE 1:1      SHEET 1 of 1