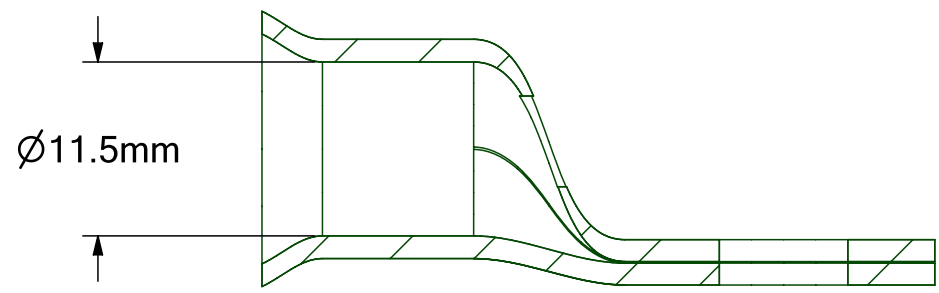
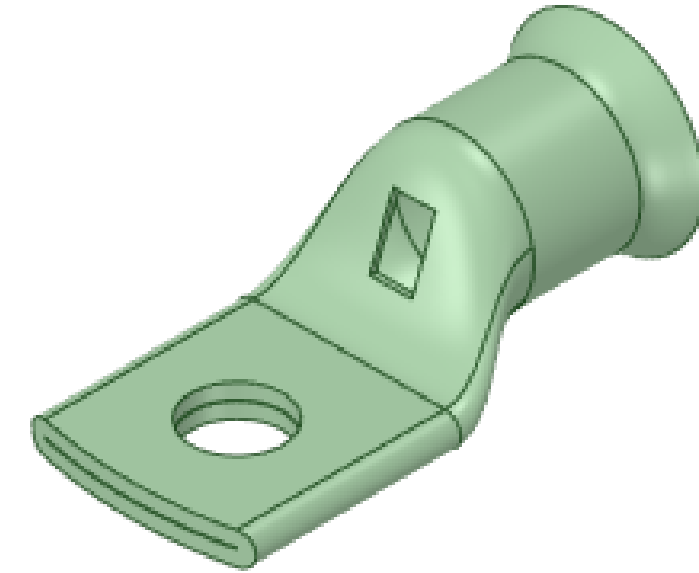
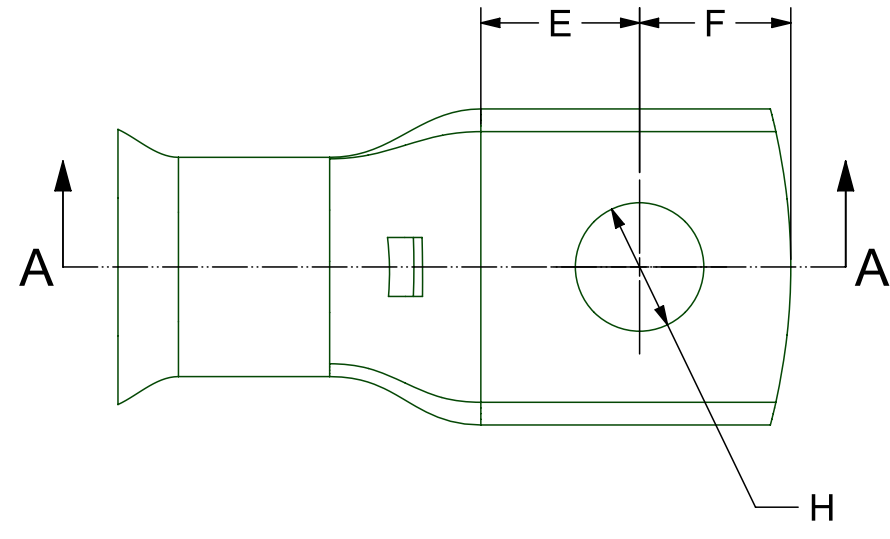
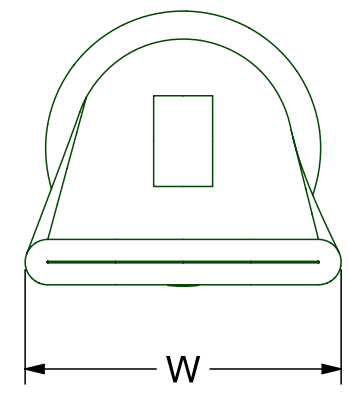


REVISION HISTORY	
1	Original Part



SECTION A-A



PART NO.	H (mm)	E (mm)	F (mm)	W (mm)
TCSD-70-0	0	N/A	20.0	20.9
TCSD-70-5	5.5	10.5	10.0	20.9
TCSD-70-6	6.5	10.5	10.0	20.9
TCSD-70-8	8.5	10.5	10.0	20.9
TCSD-70-10	10.5	10.5	10.0	20.9
TCSD-70-12	12.8	10.5	10.0	20.9
TCSD-70-14	14.5	13.0	13.0	20.9
TCSD-70-16	16.5	13.0	13.0	20.9

UOS - LINEAR TOLERANCE PERMISSABLE DEVIATIONS FOR SIZE RANGE:
Tolerances according to DIN ISO 2768 (V)

DIMS IN MM	0.5 to 3	>3 to 6	>6 to 30	>30 to 120	>120 to 400	>400 to 1000	>1000 to 2000	>2000 to 4000
	-	±0.5	±1.0	±1.5	±2.5	±4.0	±6.0	±8.0

TOTAL CONNECTIONS
2009 LTD

Total Connections 2009 LTD
www.tc2009.co.uk
sales@tc2009.co.uk
Tel 01249 812 707

Drawing No. TCDR1927 Material. CW024A (C106) COPPER

Part No. TCSD-70-RANGE Finish. 5MICRON ELECTRO TIN PLATED

SIZE A3 Date 23/03/2021 Created By: Dan Hewlett REV 1

SCALE 2:1 SHEET 1 of 1