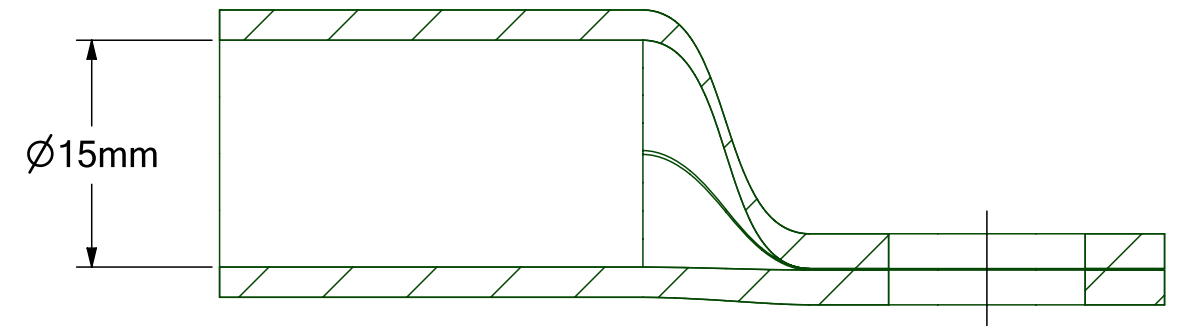
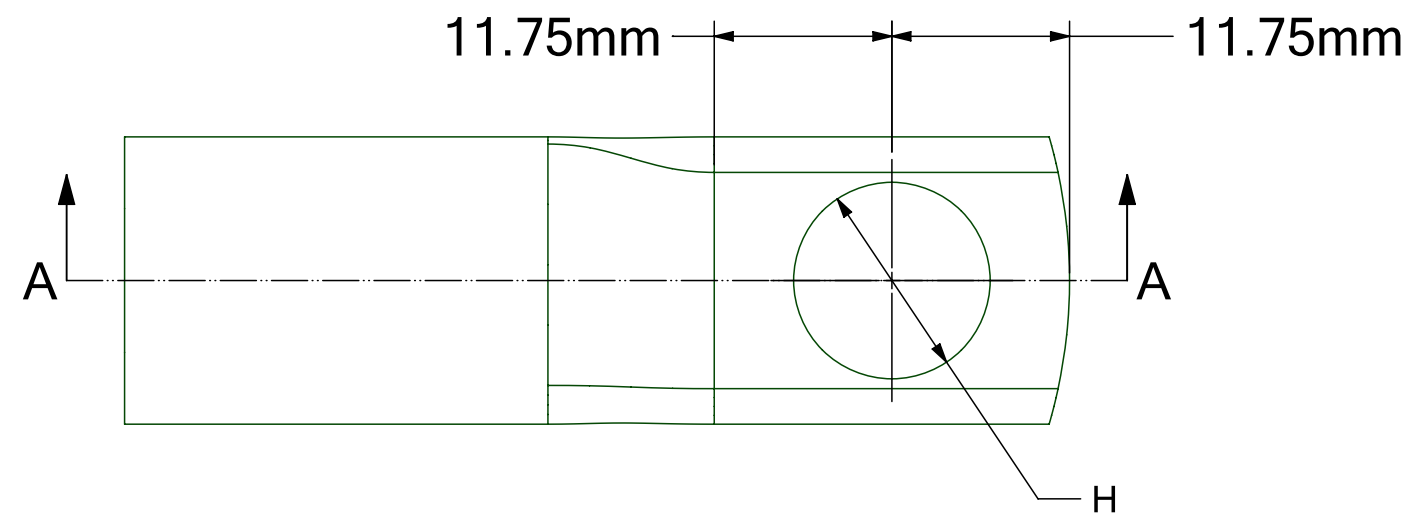
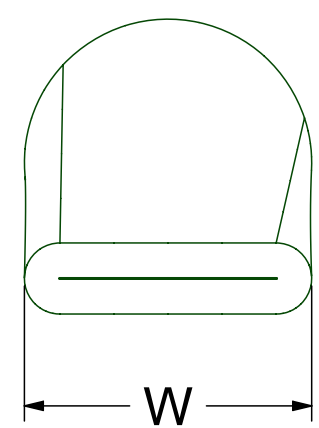


REVISION HISTORY	
1	Original Concept
2	(H) Dimension amendment



SECTION A-A



PART NO.	(H) mm	(E) mm	F (mm)	W (mm)
TCCP-120-0	N/A	N/A	23.5	19.0
TCCP-120-5	5.5	11.75	11.75	19.0
TCCP-120-6	6.5	11.75	11.75	19.0
TCCP-120-8	8.5	11.75	11.75	19.0
TCCP-120-10	10.5	11.75	11.75	19.0
TCCP-120-12	13.0	11.75	11.75	19.0

UOS - LINEAR TOLERANCE PERMISSABLE DEVIATIONS FOR SIZE RANGE:  
Tolerances according to DIN ISO 2768 (V)

DIMS IN MM	0.5 to 3	>3 to 6	>6 to 30	>30 to 120	>120 to 400	>400 to 1000	>1000 to 2000	>2000 to 4000
	-	±0.5	±1.0	±1.5	±2.5	±4.0	±6.0	±8.0

**TOTAL CONNECTIONS**  
2009

Total Connections 2009 LTD

www.tc2009.co.uk  
sales@tc2009.co.uk  
Tel 01249 812 707

Drawing No. TCDR1976		Material. CW024A (C106) COPPER	
Part No. TCCP-120-RANGE		Finish. 5MICRON ELECTRO TIN PLATED	
SIZE A3	Date 02/08/2021	Created By: Dan Hewlett	REV 2
SCALE 2:1			SHEET 1 of 1