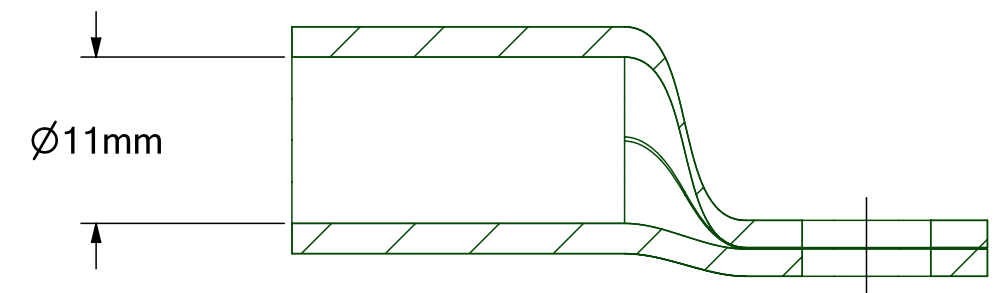
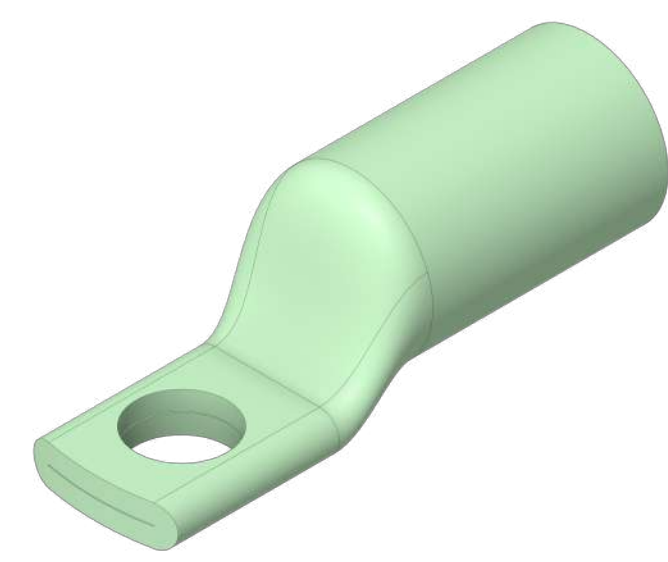
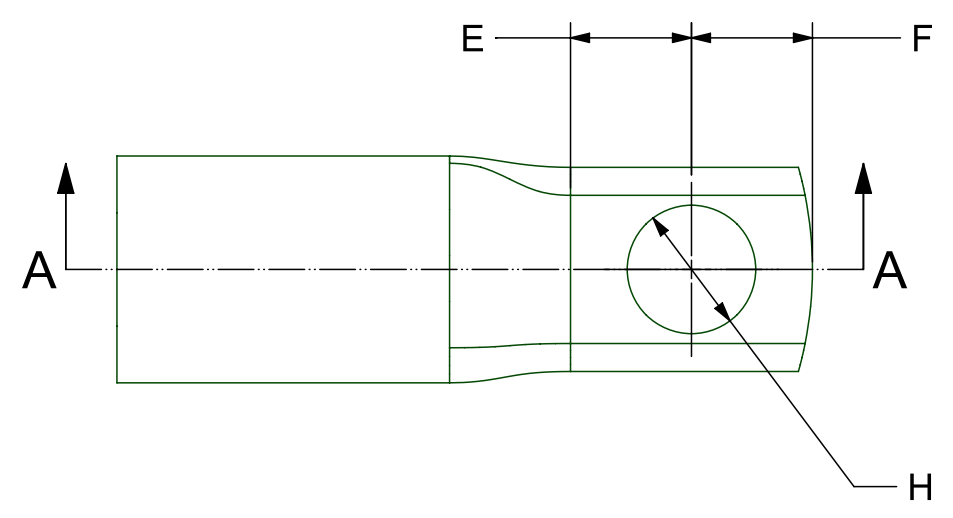
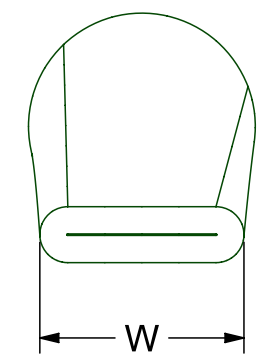


REVISION HISTORY	
1	Original Concept



SECTION A-A



PART NO.	H (mm)	E (mm)	F (mm)	W (mm)
TCCP-70-5	5.5	8.0	8.0	13.5
TCCP-70-6	6.5	8.0	8.0	13.5
TCCP-70-8	8.5	8.0	8.0	13.5
TCCP-70-10	10.5	8.0	8.0	13.5

UOS - LINEAR TOLERANCE PERMISSABLE DEVIATIONS FOR SIZE RANGE:
Tolerances according to DIN ISO 2768 (V)

DIMS IN MM	0.5 to 3	>3 to 6	>6 to 30	>30 to 120	>120 to 400	>400 to 1000	>1000 to 2000	>2000 to 4000
	-	±0.5	±1.0	±1.5	±2.5	±4.0	±6.0	±8.0

TOTAL CONNECTIONS 2009
 Total Connections 2009 LTD
www.tc2009.co.uk
sales@tc2009.co.uk
 Tel 01249 812 707

Drawing No. TCDR1975		Material. CW024A (C106) COPPER	
Part No. TCCP-70-RANGE		Finish. 5MICRON ELECTRO TIN PLATED	
SIZE A3	Date 12/04/2021	Created By: Dan Hewlett	REV 1
SCALE 2:1			SHEET 1 of 1