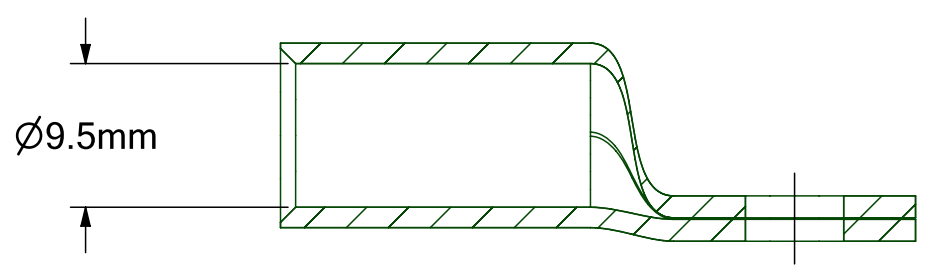
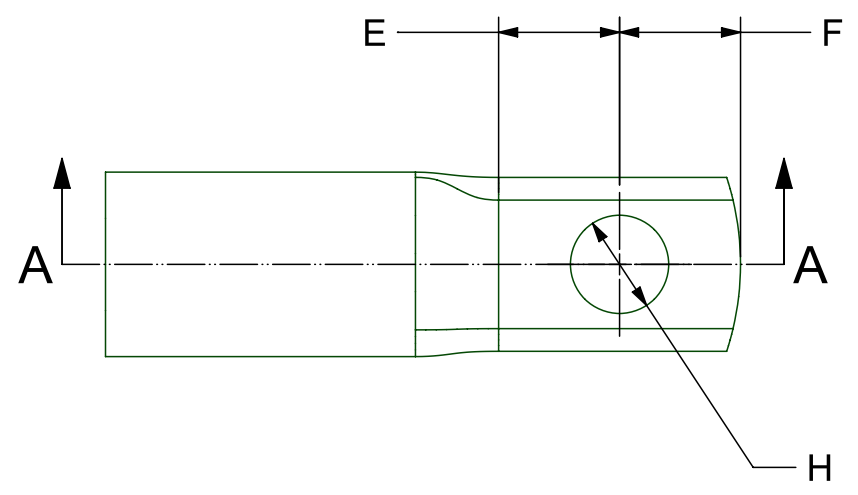
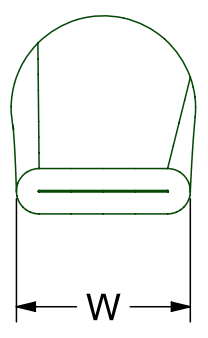


REVISION HISTORY	
1	Original Concept



SECTION A-A

PART NO.	H (mm)	E (mm)	F (mm)	W (mm)
TCCP-50-5	5.5	8.0	8.0	11.5
TCCP-50-6	6.5	8.0	8.0	11.5
TCCP-50-8	8.5	8.0	8.0	11.5



UOS - LINEAR TOLERANCE
PERMISSABLE DEVIATIONS
FOR SIZE RANGE:
Tolerances according to DIN ISO 2768 (V)

DIMS IN MM	0.5 to 3	> 3 to 6	> 6 to 30	> 30 to 120	> 120 to 400	> 400 to 1000	> 1000 to 2000	> 2000 to 4000
	-	±0.5	±1.0	±1.5	±2.5	±4.0	±6.0	±8.0

TOTAL CONNECTIONS 2009

Total Connections 2009 LTD

www.tc2009.co.uk
sales@tc2009.co.uk
Tel 01249 812 707

Drawing No. TCDR1966

Material. CW024A (C106) COPPER

Part No. TCCP-50-RANGE

Finish. 5MICRON ELECTRO TIN PLATED

SIZE A3 Date 12/04/2021 Created By: Dan Hewlett REV 1

SCALE 2:1 SHEET 1 of 1