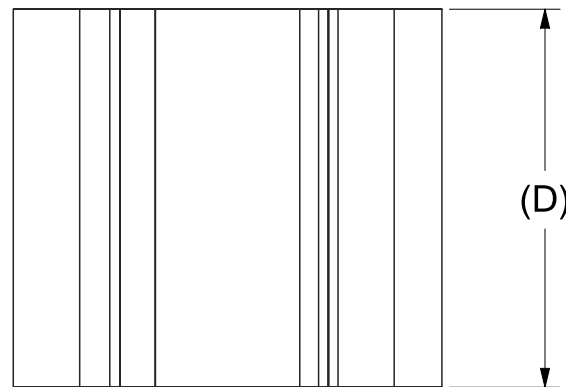
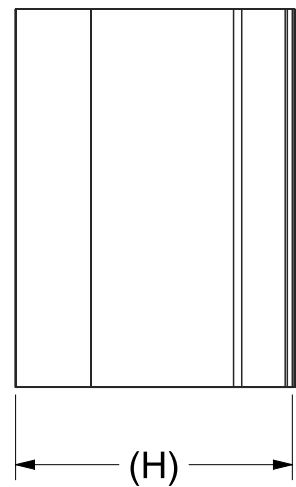
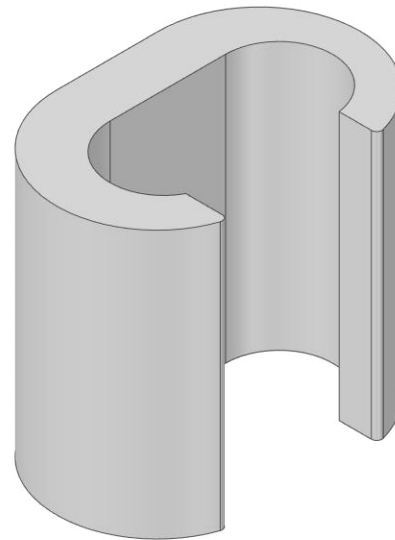
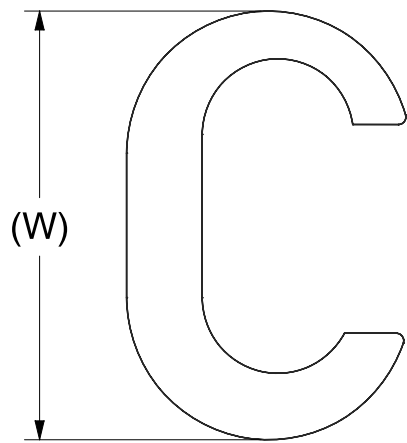


REVISION HISTORY	
1	Original Concept



PART NO.	(W) mm	(H) mm	(D) mm	Main Conductor	Tap Conductor
TCCC-T-6/6	9.5	10.0	6.5	6mm ²	1.5-6mm ²
TCCC-T-10/10	14.4	9.5	13.4	10mm ²	1.5-10mm ²
TCCC-T-16/16	19.0	18.0	12.0	16mm ²	1.5-16mm ²
TCCC-T-25/25	17.0	20.5	12.0	25mm ²	16-25mm ²
TCCC-T-35/16	24.7	15.4	21.0	35mm ²	1.5-16mm ²
TCCC-T-35/35	27.0	16.0	20.5	35mm ²	25-35mm ²
TCCC-T-50/50	28.4	18.5	28.5	50mm ²	35-50mm ²
TCCC-T-70/35	33.2	21.0	29.9	70mm ²	4-35mm ²
TCCC-T-70/70	22.2	21.0	28.5	70mm ²	50-70mm ²
TCCC-T-95/95	29.0	37.5	22.0	95mm ²	70-95mm ²
TCCC-T-120/120	43.0	25.0	30.0	120mm ²	25-120mm ²
TCCC-T-150/120	45.0	28.0	31.4	150mm ²	25-120mm ²
TCCC-T-150/150	50.5	29.8	30.0	150mm ²	70-150mm ²
TCCC-T-185/185	56.8	33.4	32.0	185mm ²	120-185mm ²
TCCC-T-240/120	68.0	34.0	22.6	240mm ²	150-240mm ²
TCCC-T-240/240	60.5	34.4	33.0	240mm ²	150-240mm ²

UOS - LINEAR TOLERANCE PERMISSABLE DEVIATIONS FOR SIZE RANGE:
Tolerances according to DIN ISO 2768 (V)

DIMS IN MM	0.5 to 3	>3 to 6	>6 to 30	>30 to 120	>120 to 400	>400 to 1000	>1000 to 2000	>2000 to 4000
	-	±0.5	±1.0	±1.5	±2.5	±4.0	±6.0	±8.0



Total Connections 2009 LTD

www.tc2009.co.uk
sales@tc2009.co.uk
Tel 01249 812 707

Drawing No. TCDR2161

Material. CW008A (C102) COPPER

Part No. TCCC-T-RANGE (TIN PLATED)

Finish. 5MICRON ELECTRO TIN PLATED

SIZE A3 Date 19/08/2021

Created By: Dan Hewlett

REV 1

SCALE 2:1

SHEET 1 of 1